



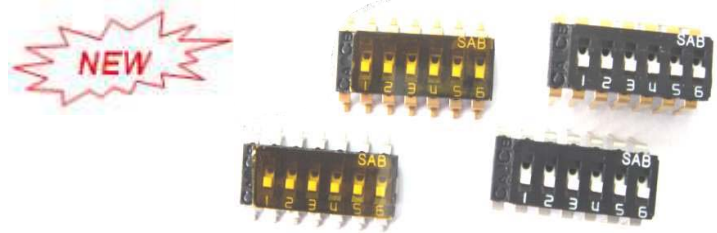
RoHS Compliant

SAB/YIKAI

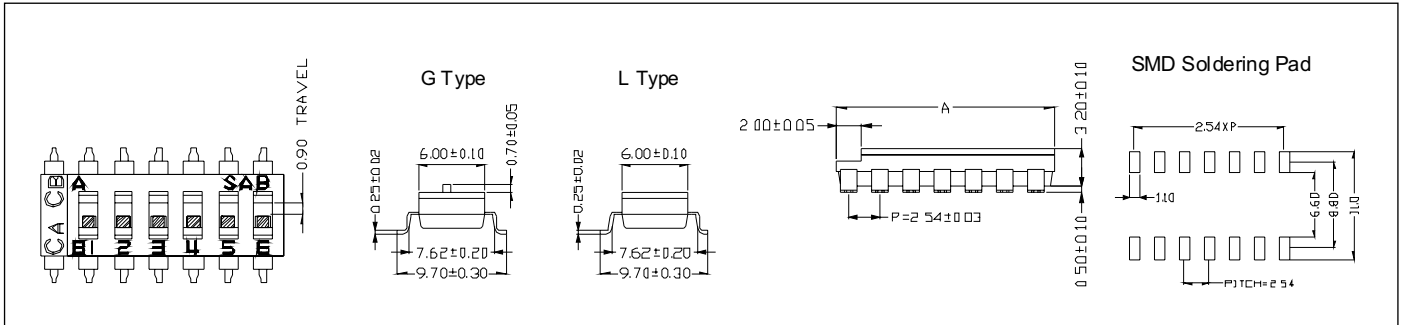
DNXS/A/H Series-Slide Switch

Features

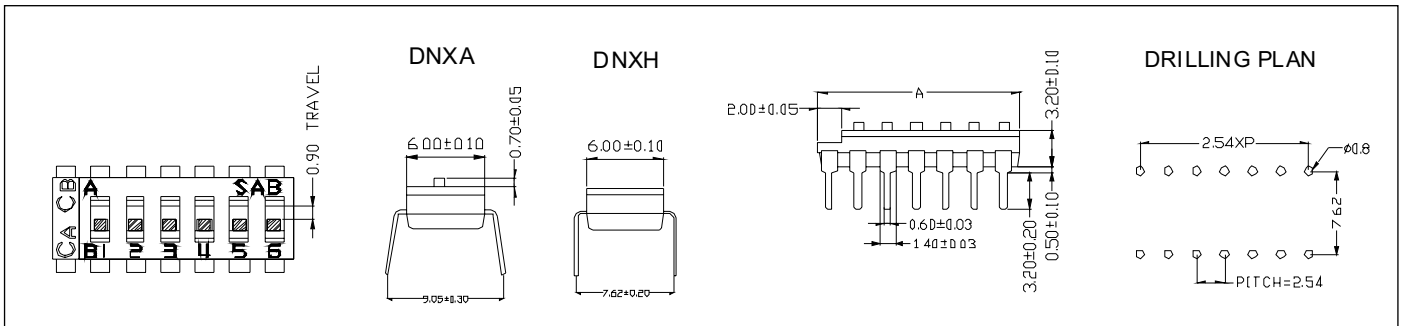
- ◆ SPDT Multipole DIP Switch
- ◆ Design Patent
- ◆ Save space for the PCB
- ◆ More Function than the SIP Switch & choice
- ◆ Change over signal circuit



DNXS



DNXA/H



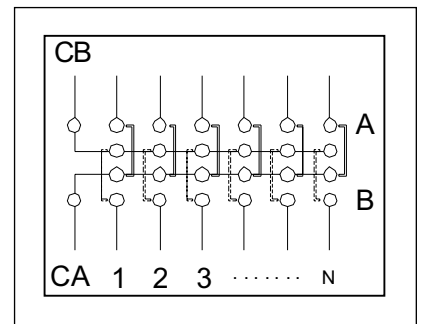
Specifications

- ◆ Contact Rating
  - Switching .....25mA, 24VDC
  - Non-Switching.....100mA, 50VDC
- ◆ Contact Resistance
  - Initial .....50mΩ Max.
  - After Life Test .....100mΩ Max.
- ◆ Insulation Resistance .....100MΩ min at 500VDC
- ◆ Dielectric Strength .....500VAC/1 minute
- ◆ Operating Force .....1000g Max.
- ◆ Mechanical Life .....5,000 cycles
- ◆ Electrical Life .....2,000 cycles

Materials

- ◆ **Cove & Base:** High Temperature UL 94V-0 Thermoplastic, Black.
- ◆ **Actuator:** High Temperature UL 94V-0 Thermoplastic, White.
- ◆ **Terminal & Movable Contact:** Copper Alloy with Gold or Pure-Tin plated
- ◆ **Terminal:** Copper Alloy with Gold Plated or Pure-Tin.
- ◆ **Tape Sealed:** Polyimide Film.

Wiring Diagram



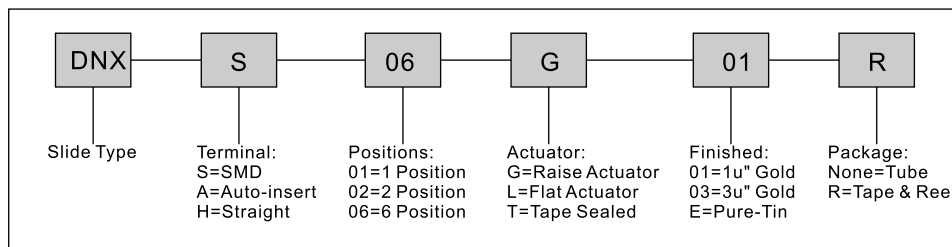
Soldering Information

- ◆ Hand Soldering
  - Soldering Iron 30W at under 350°C/3 sec. Max.
  - or at 270°C/5 sec. Max.
- ◆ Wave Soldering
  - Temperature: 260°C/10 sec. Max.
- ◆ Reflow Soldering
  - 260°C±5°C within 30 sec. In-line or Batch system.
- ◆ L & G Type: un-washable & un-accept reflow process.

Packaging Information

- ◆ All DIP switches are shipped in Tube.
- ◆ DNXS can be packed by Tape & Reel.

Ordering Information



Package

P/N	No.Of Pole	Dim. A	Quantity per Tube
DNXS/A/H01	1	4.98mm	105
DNXS/A/H02	2	7.52mm	69
DNXS/A/H06	6	17.68mm	28

All of RoHs compliant we providing will remove "LF" after "P/N"