

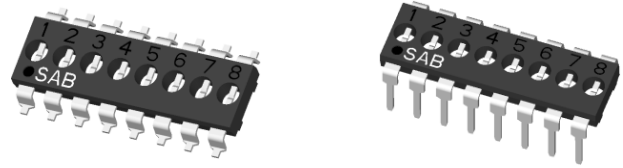
# SAB/YIKAI

## HTS/A/H Serise-DIP Shunts

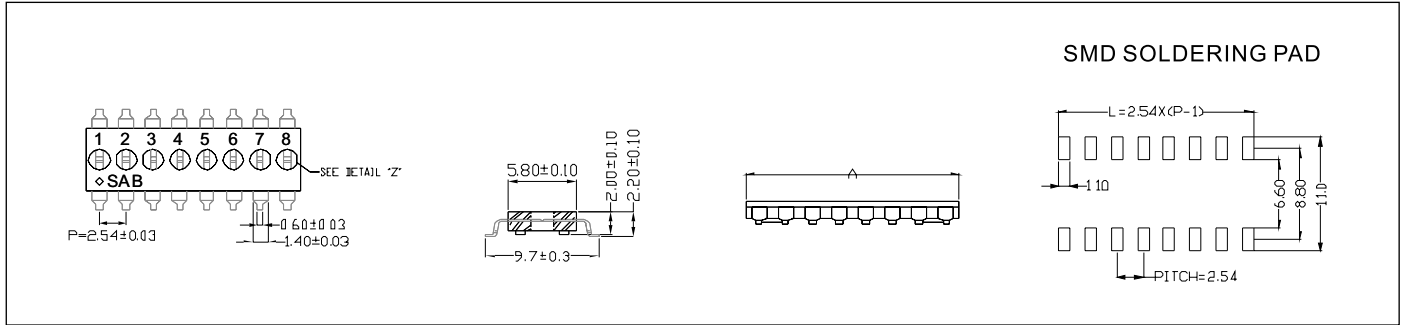


### Features

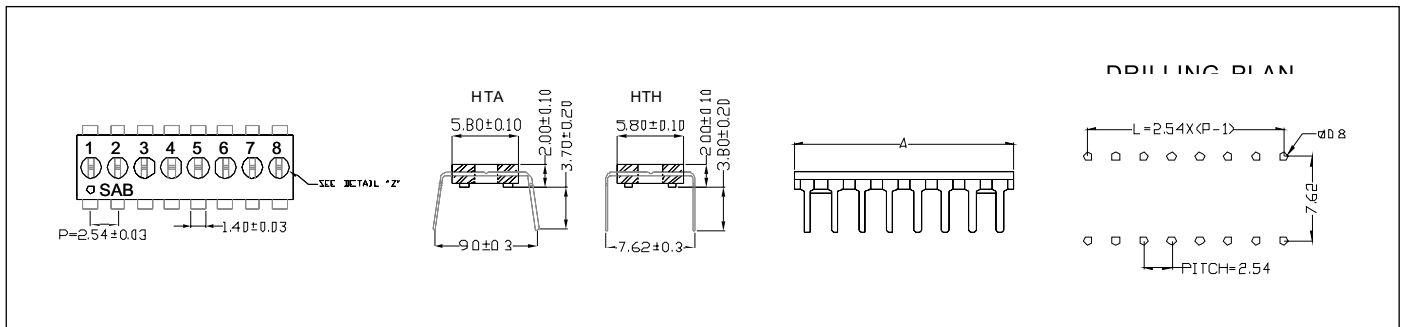
- ◆ Low cost DIP shunt for when switches only to be setted once.
- ◆ Opposing pins are interconnected, poles required to be open can easily be broken using a ball pen.
- ◆ All shunts can be supplied either un-programmed or preprogrammed.



### HTS



### HTA/H



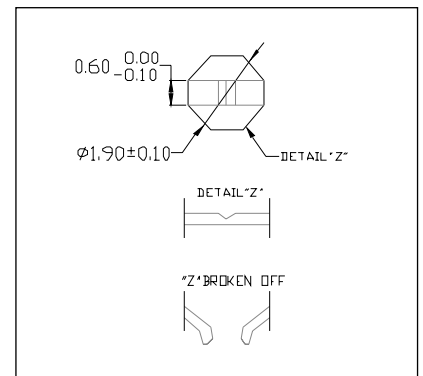
### Specifications

- ◆ Rating.....1A
- ◆ Insulation Resistance .....100MΩ min at 500VDC
- ◆ Dielectric Strength .....500VDC/1 minute
- ◆ Operating Temperature.....-55℃~150℃

### Materials

- ◆ Base: High Temperature UL 94V-0 Thermoplastic, Black.
- ◆ Terminal: Copper Alloy with Pure-Tin.
- ◆ Tape Sealed: Polyimide film.

### Wiring Diagram



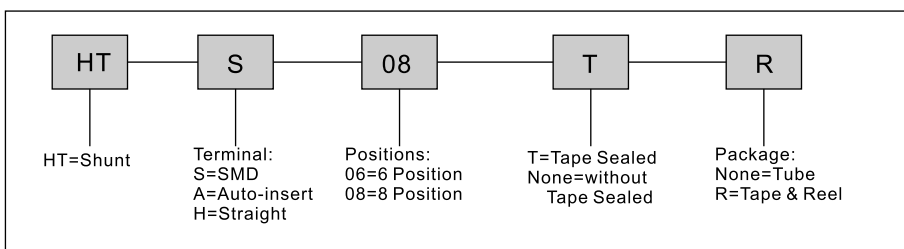
### Soldering Information

- ◆ Hand Soldering  
Soldering Iron 30W at under 350℃/3 sec. Max.  
or at 270℃/5 sec. Max.
- ◆ Wave Soldering  
Temperature: 260℃/10 sec. Max.
- ◆ Reflow Soldering.  
260℃±5℃ within 30 sec. In-line or Batch system.

### Packaging Information

- ◆ All DIP switches are shipped in Tube.

### Ordering Information



All of RoHS compliant we providing will remove "LF" after "P/N"

### Package

P/N	No. Of Pole	Dim. A	Quantity per Tube
HTS/A/H02	2	5.08mm	105
HTS/A/H03	3	7.62mm	70
HTS/A/H04	4	10.16mm	52
HTS/A/H05	5	12.70mm	42
HTS/A/H06	6	15.24mm	35
HTS/A/H07	7	17.78mm	30
HTS/A/H08	8	20.32mm	26
HTS/A/H09	9	22.86mm	23
HTS/A/H10	10	25.40mm	21
HTS/A/H12	12	30.48mm	17